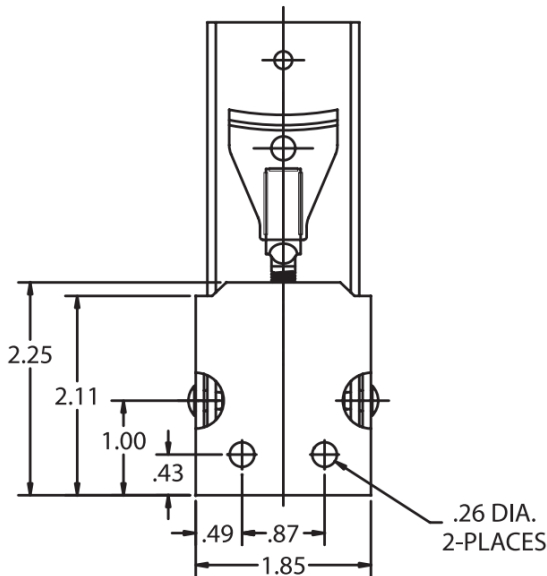
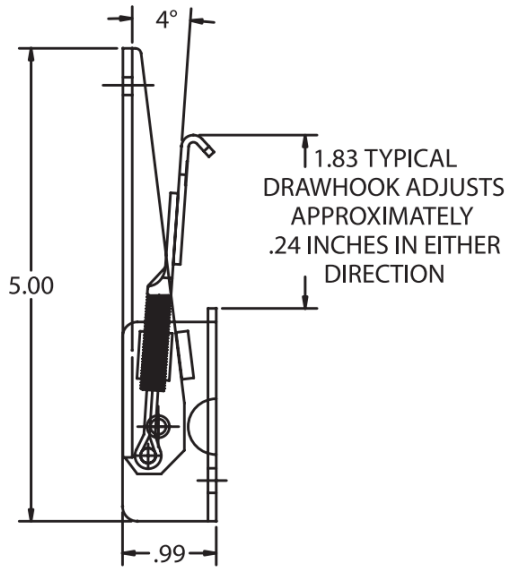


770 Heavy Duty Stainless Steel Draw Latch

Features

- Draw latch assembly with electro polished stainless steel handle with adjustable chrome moly hook (carbon steel).
- Working load 1,500 lbs. and ultimate load of 2,500 lbs.



Part No.

CM-770-SS

Dimensions in inches